

The logo for 'mioty' is displayed in a white, lowercase, sans-serif font. It is positioned in the upper left corner of the slide, overlaid on a dark blue background that features a network of white lines and nodes connecting various icons like a laptop, solar panels, and a Wi-Fi symbol. The background also shows a cityscape at night.

2021

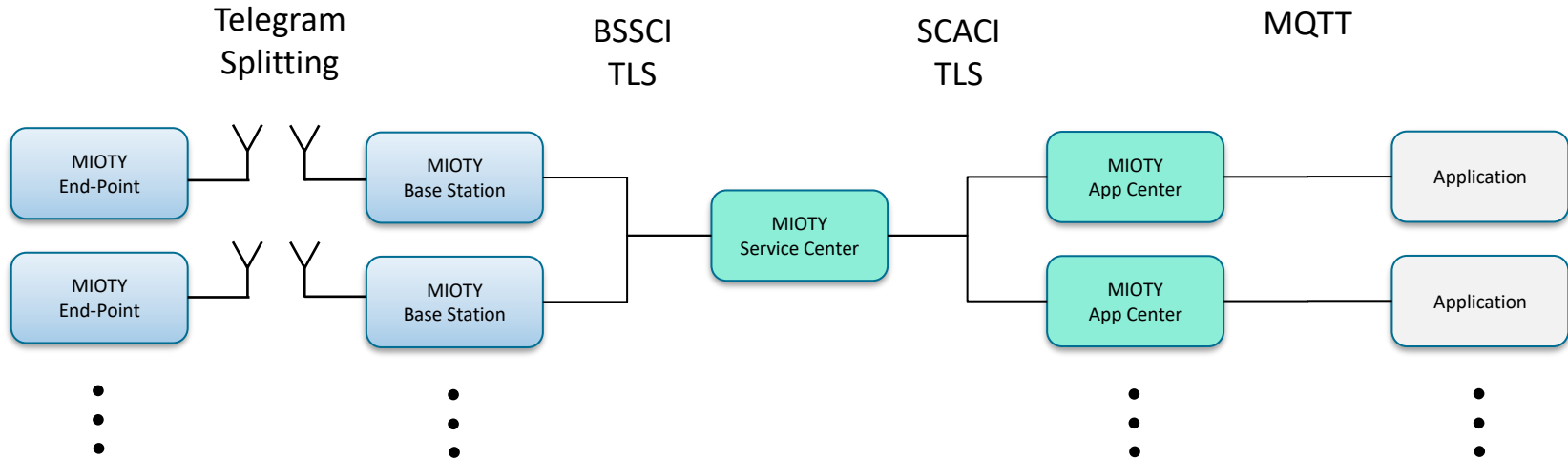
MIOTY Backend Architecture

Service Center and Application Center

Dominik Soller
Fraunhofer IIS

Erlangen, 22.04.2021

MIOTY System Overview



MIOTY Service Center

Interfaces and functions

- The MIOTY Service Center is the link between one or multiple Base Stations and one or multiple Application Centers:
 - Accepts incoming TLS based BSSCI connections from the Base Stations
 - Accepts incoming TLS based SCACI connections from the Application Centers
- The MIOTY Service Center is responsible for network management tasks in the MIOTY System:
 - Aggregation of uplink data received by the Base Stations
 - Scheduling of downlink data to be sent by the Base Stations
 - Distribution of End Point information to the Base Stations

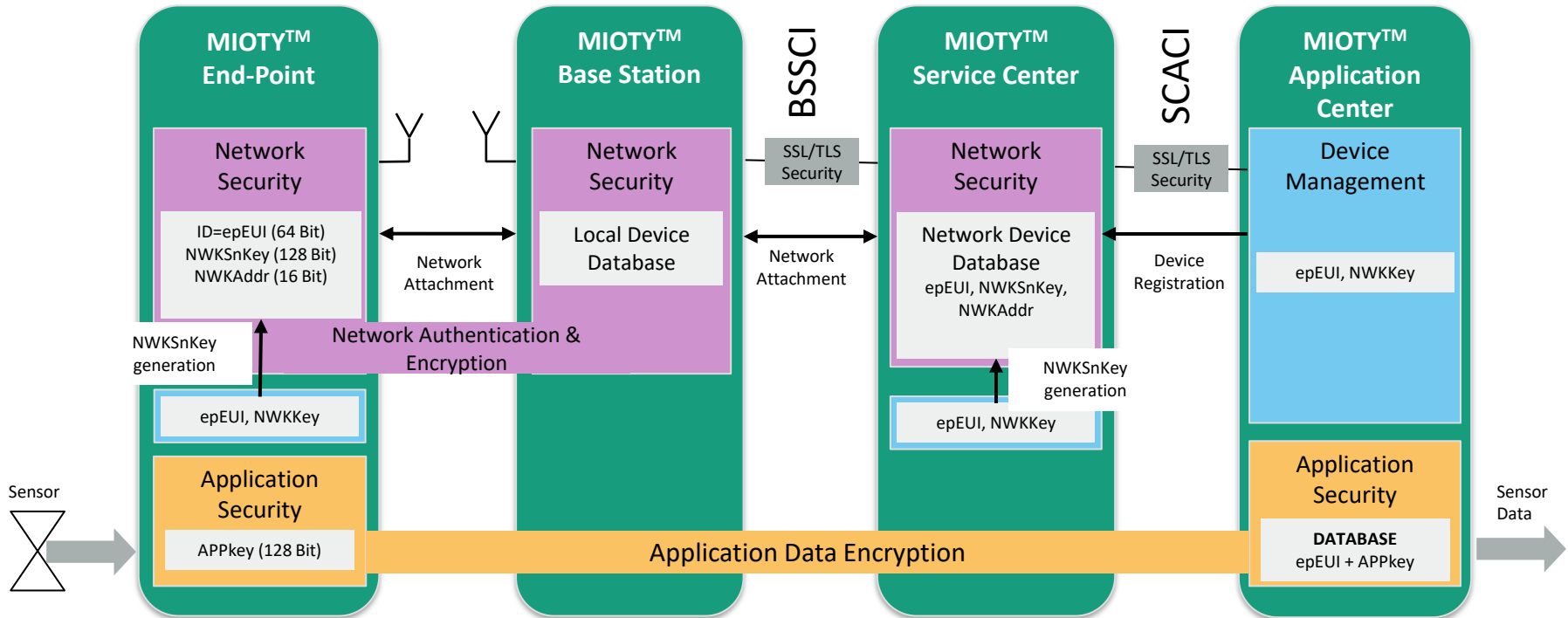
MIOTY Application Center

Interfaces and functions

- The MIOTY Application Center is the bridge between MIOTY specific functionality and the user application:
 - Establishes TLS based SCACI connection to the Service Center
 - Provides generic data access via MQTT
 - Provides REST based device management interfaces
- The MIOTY Application Center is responsible for device management and data segregation:
 - Registration of End-Points at the MIOTY system
 - Optional handling of application layer cryptography
 - Data format interpretation and segregation

MIOTY System

Security and Encryption



Contact

MIOTY - The Future Proven technology for the Industrial IOT

Josef Bernhard

Fraunhofer Institute for Integrated Circuits IIS
Dept. Self-Powered Radio Systems

Nordostpark 84 | 90411 Nürnberg
Phone +49 911 58061-3300 | Fax +49 911 58061-3299
josef.bernhard@iis.fraunhofer.de